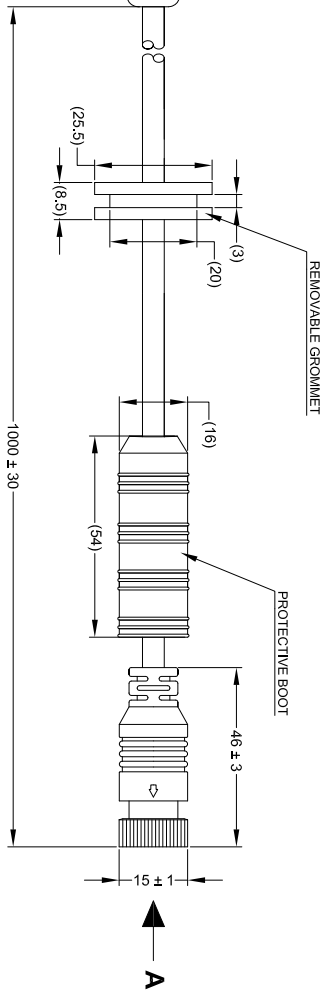
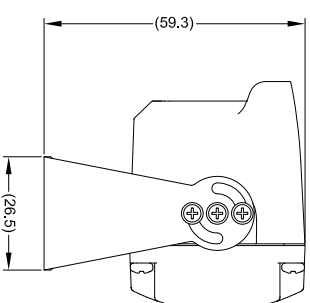
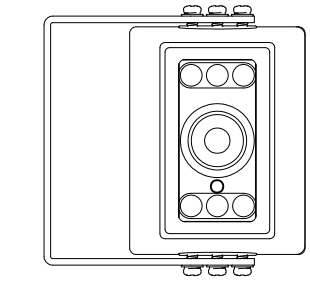
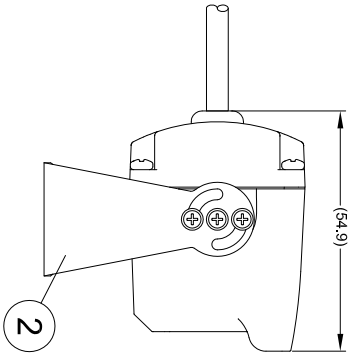
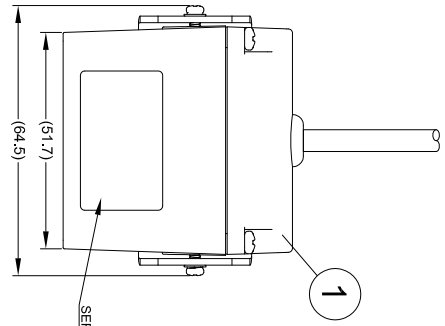
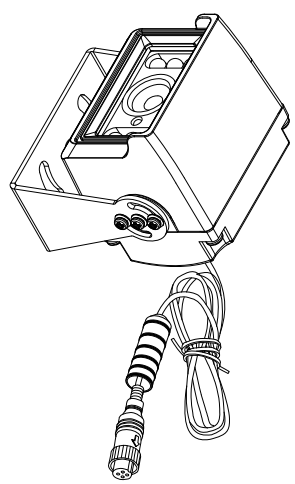


**Revision Notes:**  
 1. CAMERA HOUSING DIMENSIONS REVISED.  
 Checked By: L.B      Approved By: D.K      Date Released: 16/12/11

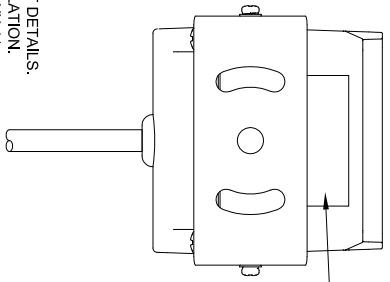
ITEM	STOCK CODE	QTY	DESCRIPTION
1	(#3919)	1	VBV-621C-C CAMERA ONLY
2	(#3983)	1	VBV-62X-C-1K1 CAMERA BRACKET
3	(#3989)	1	VBV-621C-C CAMERA BRACKET
4	(#3989)	1	VBV-621C-C INSTALLATION SLIDE (NOT SHOWN)



**VIEW A**



PIN #	WIRE COLOUR	DESCRIPTION
1	RED	12 VDC
2	BLACK	GROUND
3	WHITE	NOT CONNECTED
4	YELLOW	VIDEO



- NOTES:**
- REFER TO COMPONENT DRAWINGS FOR COMPONENT DETAILS.
  - ENSURE PROTECTIVE BOOT IS USED DURING INSTALLATION.
  - FOR PRODUCT LABEL REFER TO DRAWING BE-001664-XX-11.
  - FOR SERIAL NUMBER LABEL REFER TO DRAWING BE-001324-XX-10.
  - CONNECTOR A SHOULD BE BLACK.

**PROPRIETARY NOTICE**  
 THIS DESIGN AND TECHNICAL INFORMATION APPEARING ON THIS DRAWING IS THE PROPERTY OF BRIGADE ELECTRONICS, AND IS DISCLOSED IN CONFIDENCE. IT IS NOT TO BE COPIED, REPRODUCED, REVEALED TO OR EXPLOITED BY OTHERS, EITHER IN WHOLE OR IN PART WITHOUT THE EXPRESS WRITTEN CONSENT OF BRIGADE ELECTRONICS.

**BRIGADE®**  
 www.brigade-electronics.com

<b>Assembly Pl Approval</b> SV - SHADOW		<b>Approved by</b> DKERALI		<b>Checked by</b> MBUTLER		<b>Drawn by</b> ASILLARS	
<b>Angle of Projection</b> Third Angle		<b>Units</b> mm	<b>Scale</b> N/A	<b>Released</b> 04/08/11	<b>Assembly Ref</b> SV-CM14650C INTSD		
<b>Status</b> RELEASED		<b>Stock Code</b> #3684					
<b>Released</b> BE-001667-01-11						<b>Released</b> VBV-621C	